



Guide for M310S System Upgrade

1. Check the OS version on your M310S from:

Settings > Control Panel > System Information
Listed by S/W Version



2. Download the Latest Update file from E-SEEK M310S developers web Site.

Compare the file name to your S/W Version C6G-XXX-XXXX.zip

E-SEEK Dev Website Link: <http://e-seek.com/m310sdev.asp>

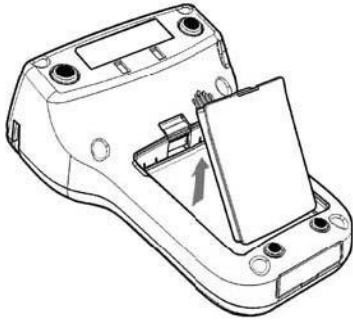
3. Get a MicroSD card

Select a card size between 64 MB - 2GB (The upgrade software doesn't allow SDHC card). This card must be formatted to 'FAT' file system (FAT16).

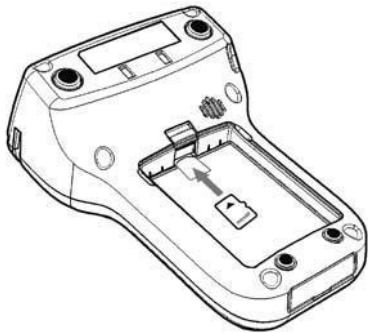


4. Unzip the files into a root directory of the MicroSD card.

5. Remove the Battery (make sure the unit is turned OFF).



6. Insert the MicroSD card into the memory slot.



7. Place back the battery and connect the external power supply.



8. Press and hold the Enter key and F2 key.



9. Then press the power key (while pressing the Enter and F2 keys) until the unit starts



10. After the E-SEEK logo appears, release the keys.

11. The update process will take about 5 minutes. You should see a progress bar appears after 10 seconds on the screen. (If the progress bar freeze up for more than a 2 minutes then Reset the unit and try again from step 8)

12. Followed by restart to updated Windows CE.

